

1

2

3

4

A

A

B

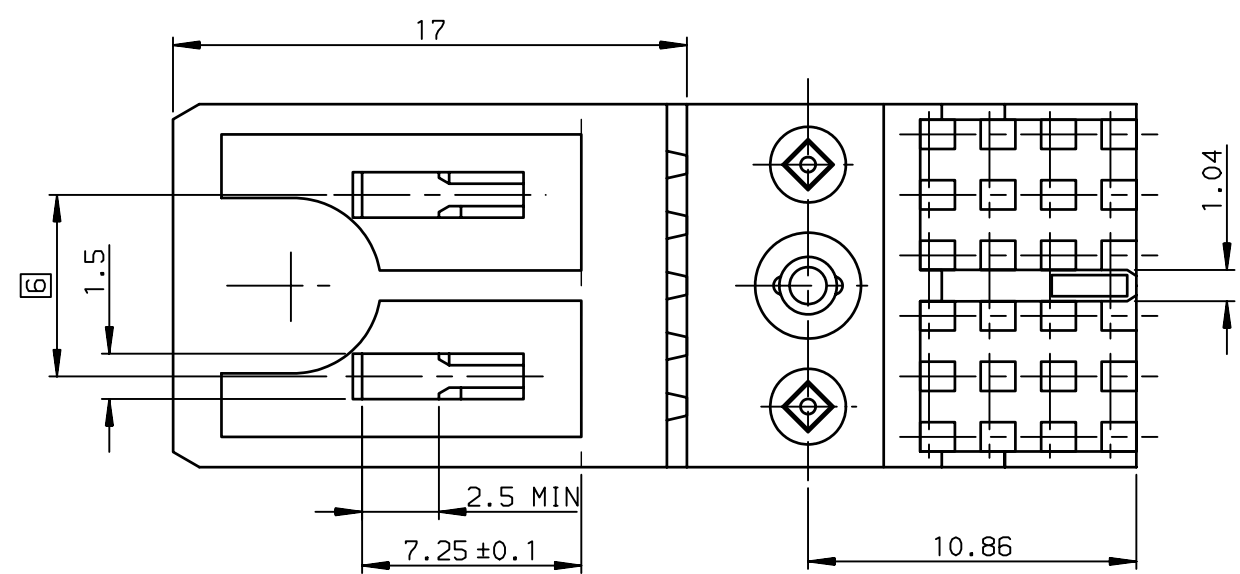
B

C

C

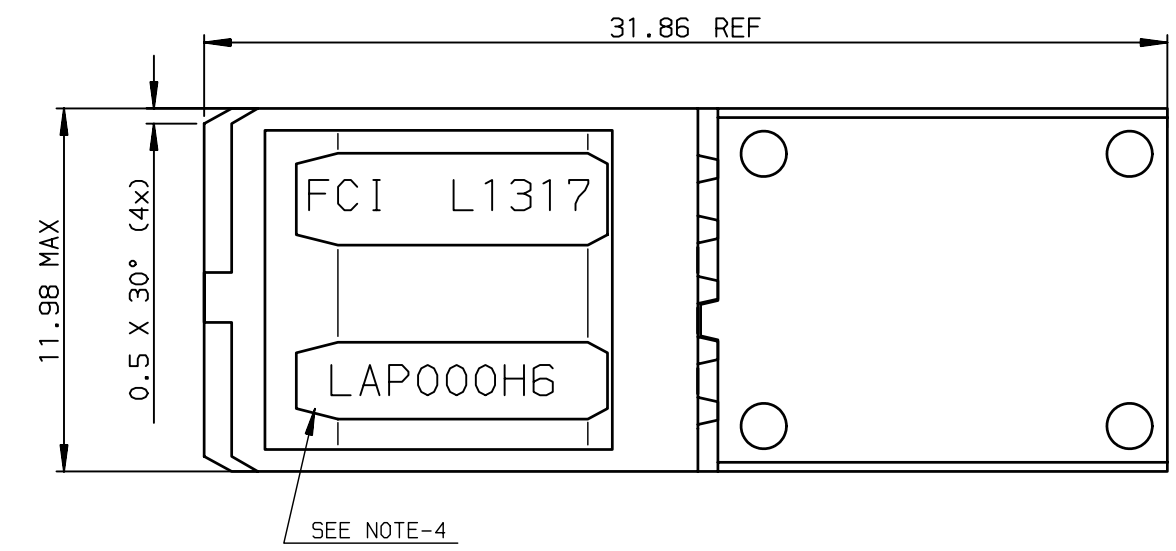
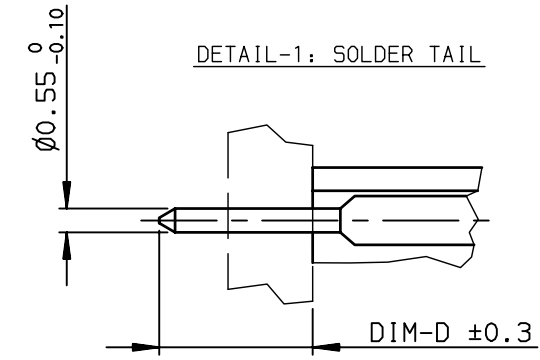
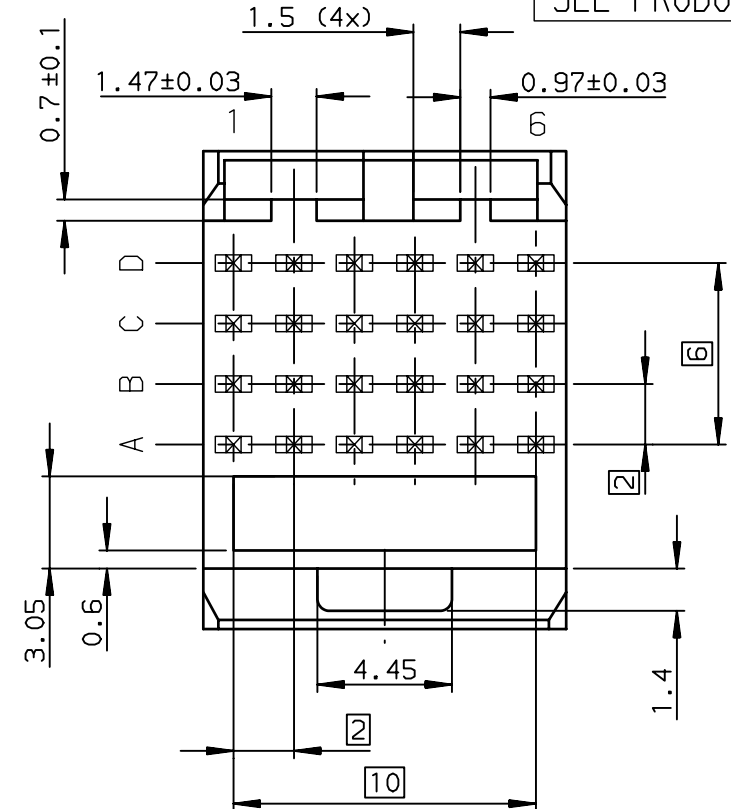
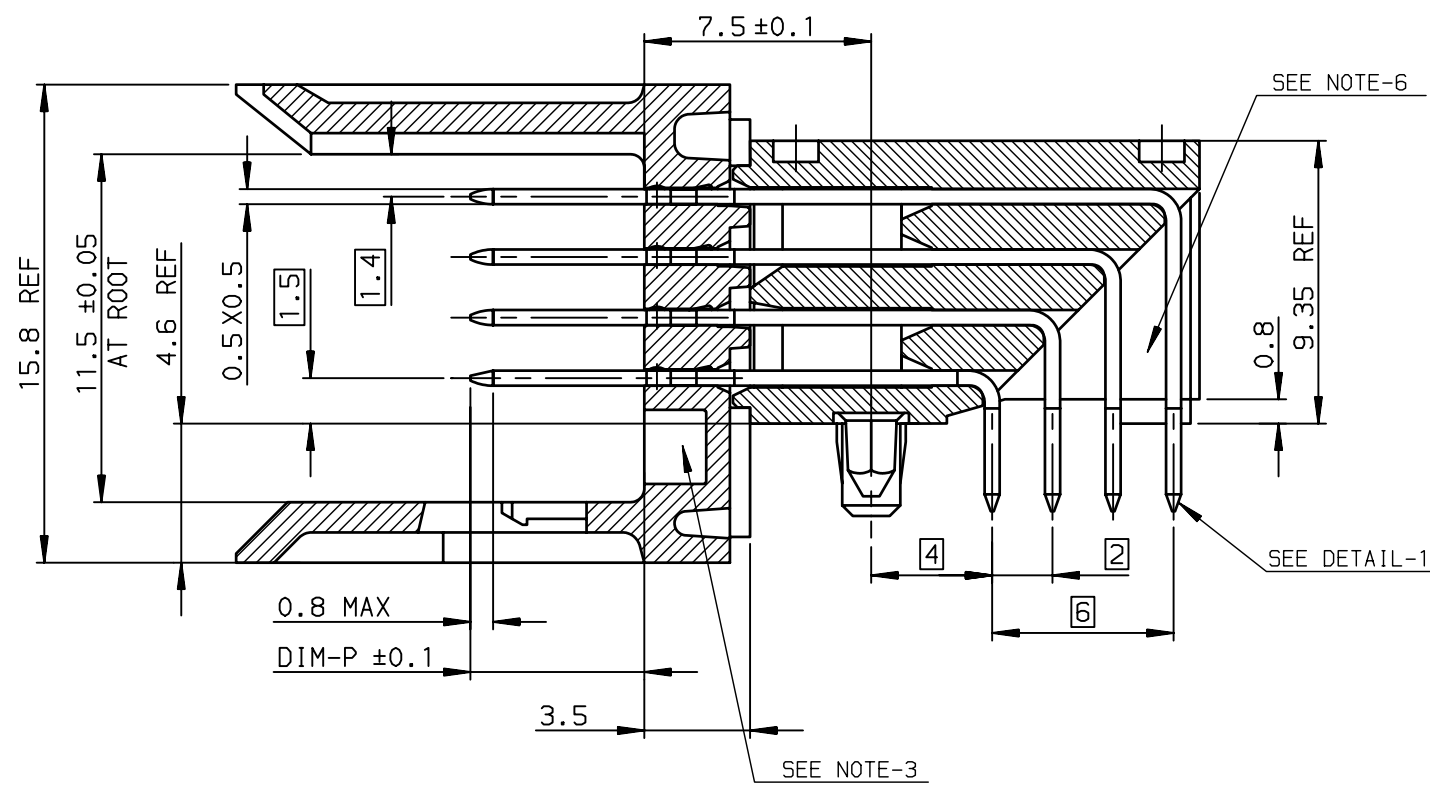
D

D



NOTE-1: NORMINATIVE REF = IEC-61076-4-104  
 NOTE-2: ONE CENTER PEG FOR HOLD DOWN FORCE  
 NOTE-3: CODING RECESS FOR 8MM EXTENDED KEYS  
 NOTE-4: PRODUCT MARKING = PRODUCT NUMBER + BATCH CODE + FCI  
 FOR 1 MODULE SIZE, END OF PART NUMBER ONLY  
 NOTE-6: CENTRAL WALL WITH END REAR SUPPORT  
 NOTE-7: PACKAGING IN TRAY + COVER  
 IF SUFFIX "P" IS ADDED IN P/N PACKAGING IS IN TRAYS  
 BUT CONNECTOR MARKING IS WITHOUT "P"  
 EXAMPLE: HM1XXXXXXXXXH6P, MARKED HM1XXXXXXXXXH6

GENERAL CHARACTERISTICS AND ROHS INFORMATIONS:  
 SEE PRODUCT SPECIFICATION GS-12-446



OTHERS INFORMATIONS, SEE DRW C-8626-0154-2

European Views

|                                       |          |                       |                                   |                  |
|---------------------------------------|----------|-----------------------|-----------------------------------|------------------|
| www.fciconnect.com                    |          | surface<br>ISO 1302 ✓ | tolerance std<br>ISO 406 ISO 1101 | projection<br>mm |
| TOLERANCES UNLESS OTHERWISE SPECIFIED |          |                       |                                   |                  |
| Dr                                    | CHAMPION | 1994/04/06            | ANGULAR                           | 0.X ± 0.1        |
| Eng                                   | LENOIR   | 1994/04/06            | LINEAR                            | 0.XX ± 0.1       |
| Chr                                   | LEGARE   | 1994/04/06            | 0.XX' ± 2'                        | 0.XXX ± 0.1      |
| Appr                                  | LEGARE   | 1994/04/06            | Product family                    | METRAL           |
| size                                  |          |                       |                                   | A3               |
| Scale                                 |          |                       |                                   | 4                |
| ECN                                   |          |                       |                                   | LS07-0184        |
| Spec ref                              |          |                       |                                   | -                |

| rev | ecn no    | dr  | date       |
|-----|-----------|-----|------------|
| G   | -         | CHA | 2003/06/26 |
| H   | LS05-001  | MRA | 2005/01/19 |
| J   | LS05-0056 | LGO | 2005/07/06 |
| K   | LS06-0097 | LGO | 2006/07/12 |
| L   | LS07-0184 | MLE | 2007/07/24 |
| -   | -         | -   | -          |
| -   | -         | -   | -          |

|     |            |                           |        |               |      |              |
|-----|------------|---------------------------|--------|---------------|------|--------------|
| FCI | title      | METRAL RA HEADER WB CONVE | dwg no | C-8626-0154-1 | Rev. | L            |
|     | catalog no | 4x6 CTS - STB - PUSH PEG  |        | CUSTOMER      |      | sheet 1 of 2 |

1

2

3

4



Copyright FCI.

